

Part number

MKAXS VG20



Brief description:

Hoods with single lever, size "21.21", top entry, M20, EMC version, IP44, IP66/IP67 degree of protection with CKR 65 kit or CKR 65 D kit.

Product description

Version	EMC version
Series	Hoods with 1 lever
Product type	with stainless steel lever
Variant	top entry
Family	CLASS enclosures
Size	size "21.21"


Technical data

Material	metal
IP degree of protection	IP44 (IP66/IP67 with CKR 65/CKR 65 D kits)
Cable entry	M20

Further technical details

Weight	32,00 g
---------------	---------

Approvals / Standards

Quality mark	UL type: 12, (type 4/4X only with kit CKR 65 or CKR 65 D),  , EAC
Conformity	CQC, CE

General ordering information

EAN13 code	8015747138444
Tariff number	85369095

Packaging Information

Sub-packaging weight	0,03 kg
Sub-packaging description	Plastic bag
Sub-packaging quantity	1 Pcs
Sub-packaging EAN barcode	8015747138871

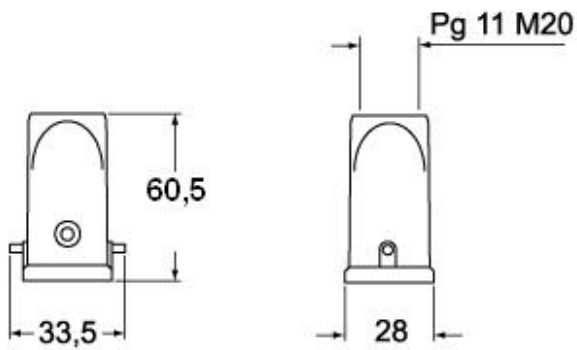
Part number

MKAXS VG20

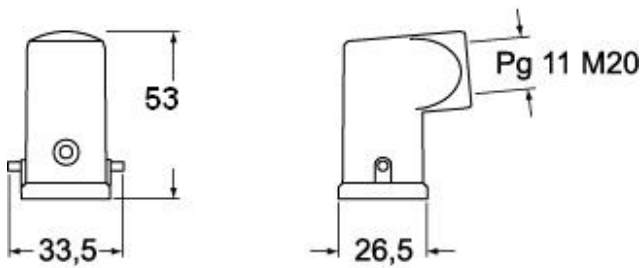


Catalogue drawings

CKAS V - MKAS V



CKAS VA - MKAS VA



CKAXS VG - MKAXS VG

